



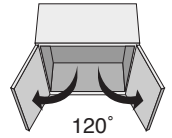
TECHLINE STANDARD CABINET HARDWARE

1. Door Hinge: CLIP top 120° concealed hinge, nickel plated Blum #71T5550 (cut sheet attached)
2. Door Hinge, option: CLIP top 170° concealed hinge, nickel plated Blum #71T6550 (cut sheet attached)
3. Door and Drawer Pulls: Hettich International ProDecor handle collections #23033 matte nickel plated (cut sheet attached)
4. Door and Drawer Locks: CompX Timberline, five-pin tumbler, re-keyable (cut sheets attached, depending upon application)
5. Drawer Slides: Royal Hardware full-extension, side mount, ball-bearing, 100-pound rating #3038 (cut sheet attached)
6. File Drawer Slides: Royal Hardware full-extension, side mount, ball-bearing, 150-pound rating #2030A (cut sheet attached)
7. Lateral File Drawer Slides: Royal Hardware full-extension, side mount, ball-bearing, 150-pound rating #2040A (cut sheet attached)
8. File Frame System: CompX Timberline (cut sheets attached)

Above hardware selected for its application, performance, availability and value.

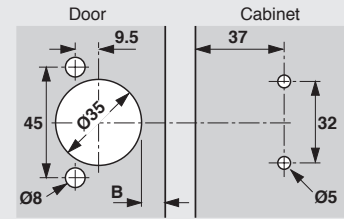
All specifications are subject to change and/or substitution without notification and the sole discretion of Techline USA, LLC.

CLIP top 120° concealed hinge



- All metal hinge, nickel plated.
- New "spiral-tech" depth adjustment.
- Tool-free door to cabinet assembly and removal.
- 3-dimensional independent adjustment.
- Self-closing and free-swing versions.
- INSERTA models provide tool-free hinge to door assembly.

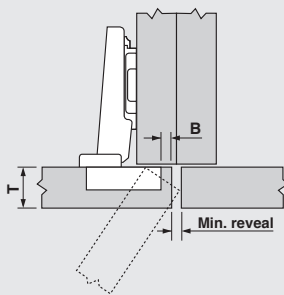
Blum boring pattern



Applications

Swing type	Cup mount	Overlay	Twin	Inset
Self-close	Screw-on	71T5550	71T5650	71T5650
	Press-in	71T5580	71T5680	71T5680
	INSERTA	71T5590	71T5690	71T5690
Free-swing	Screw-on	70T5550	70T5650	70T5650
	Press-in	70T5580	70T5680	70T5680
	INSERTA	70T5590	70T5690	70T5690

Minimum reveal

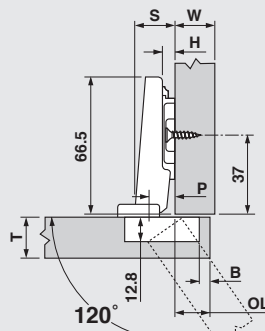


B	16	18	19	20	22	24
3	1.2	1.7	2.0	2.4	3.3	4.5
4	1.2	1.7	2.0	2.3	3.1	4.2
5	1.1	1.6	1.9	2.2	3.0	4.0
6	1.1	1.6	1.9	2.2	2.9	3.9

Table applies to all applications

Cross reference the door thickness (T) to the boring distance (B) on your application to find the minimum reveal.
Any thickness over 24mm trial recommended

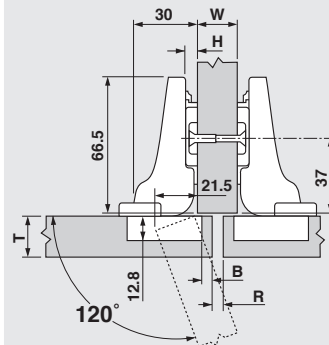
Specifications



OL Overlay table						Interior clearance	
H Plate ht.	B Bore distance					P	S
0	3	4	5	6	11.5	20.5	
3	11	12	13	14	14.5	23.5	
6	8	9	10	11	17.5	26.5	
9*	5	6	7	8	20.5	29.5	

Fixed distance = 11

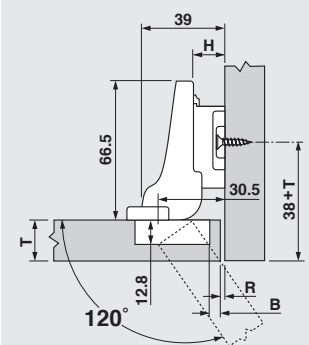
*Alternate hinge and mounting plate:
Any half cranked hinge + any 0mm plate



R Reveal table					
H Plate ht.	B Bore distance				W Panel
0	7	5	3	1	16
0	10	8	6	4	19
0	13	11	9	7	22
0	16	14	12	10	25

Fixed distance = 1.5

Alternate hinge and mounting plate:
Any straight hinge + 1x5H9190 9mm plate with twin application screws



R Reveal table					
H Plate ht.	B Bore distance				
9	4.5	3.5	2.5	1.5	

Fixed distance = -7.5

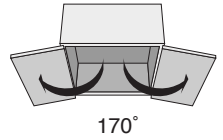
Alternate hinge and mounting plates:
Any straight hinge + 18mm plate

Screws for screw-on cups

#6 x 5/8"

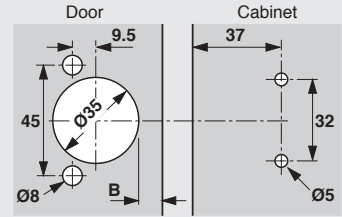
606P

CLIP top 170° concealed hinge



- All metal hinge, nickel plated.
- New "spiral-tech" depth adjustment.
- Tool free door to cabinet assembly and removal.
- 3-dimensional independent adjustment.
- Self-closing and free-swing versions
- INSERTA models provide tool-free hinge to door assembly.

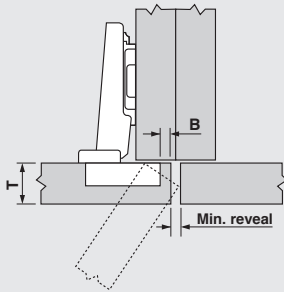
Blum boring pattern



Applications

Swing type	Cup mount	Overlay	Twin	Inset
Self-close	Screw-on	71T6550	71T6650	71T6650
	Press-in	71T6580	71T6680	71T6680
	INSERTA	71T6540	71T6640	71T6640
Free-swing	Screw-on	70T6550	70T6650	70T6650
	Press-in	70T6580	70T6680	70T6680
	INSERTA	70T6540		

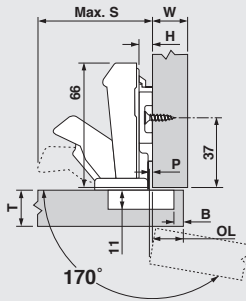
Minimum reveal



B	T	16	18	19	20	22	24
3	0	0	0	0	0.2	2.2	
4	0	0	0	0	0	1.4	
5	0	0	0	0	0	0.9	
6	0	0	0	0	0	0	
7	0	0	0	0	0	0	
8	0	0	0	0	0	0	

Table applies to all applications
 Cross reference the door thickness (T) to the boring distance (B) on your application to find the minimum reveal.
 Any thickness over 24mm trial recommended

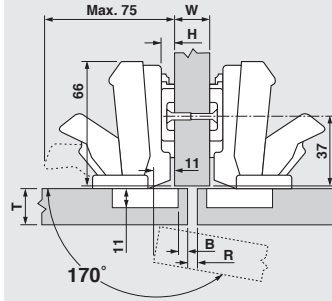
Specifications



OL Overlay table								Interior clearance	
H Plate ht.	B Bore distance							P	S
	3	4	5	6	7	8			
0	14	15	16	17	18	19	1.5	65	
3	11	12	13	14	15	16	4.5	68	
6	8	9	10	11	12	13	7.5	71	
9*	5	6	7	8	9	10	10.5	74	

Fixed distance = 11

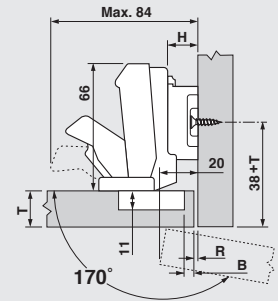
*Alternate hinge and mounting plate:
 Any half cranked hinge + any 0mm plate



R Reveal table							W Panel
H Plate ht.	B Bore distance						
	3	4	5	6	7	8	
0	7	5	3	1	-	-	16
0	10	8	6	4	2	0	19
0	13	11	9	7	5	3	22
0	16	14	12	10	8	6	25

Fixed distance = 1.5

Alternate hinge and mounting plate:
 Any straight hinge + 1x5H9190 9mm plate with twin application screws



R Reveal table							
H Plate ht.	B Bore distance						
	3	4	5	6	7	8	
9	4.5	3.5	2.5	1.5	0.5	-	

Fixed distance = -7.5

Alternate hinge and mounting plates:
 Any straight hinge + 18mm plate

Screws for screw-on cups
 #6 x 5/8" **606P**

[➔ Back](#) | [➔ Home](#) | [➔ in enquiry](#) | [➔ Accessory](#) | [➔ Logout](#) | [➔ Help](#)



Article number	23033
Packaging unit	10 Piece
Article type	Steel handle
Base surface finish	-
Drilling distance	96 mm
Finish	matt nickel-plated
Length	104 mm
Material	Steel
Rosette surface	-

Brilliant ideas metal handles

[➔ Back](#) | [➔ Home](#) | [➔ in enquiry](#) | [➔ Accessory](#) | [➔ Logout](#) | [➔ Help](#)

[➔ Back](#) | [➔ Home](#) | [➔ in enquiry](#) | [➔ Accessory](#) | [➔ Logout](#) | [➔ Help](#)

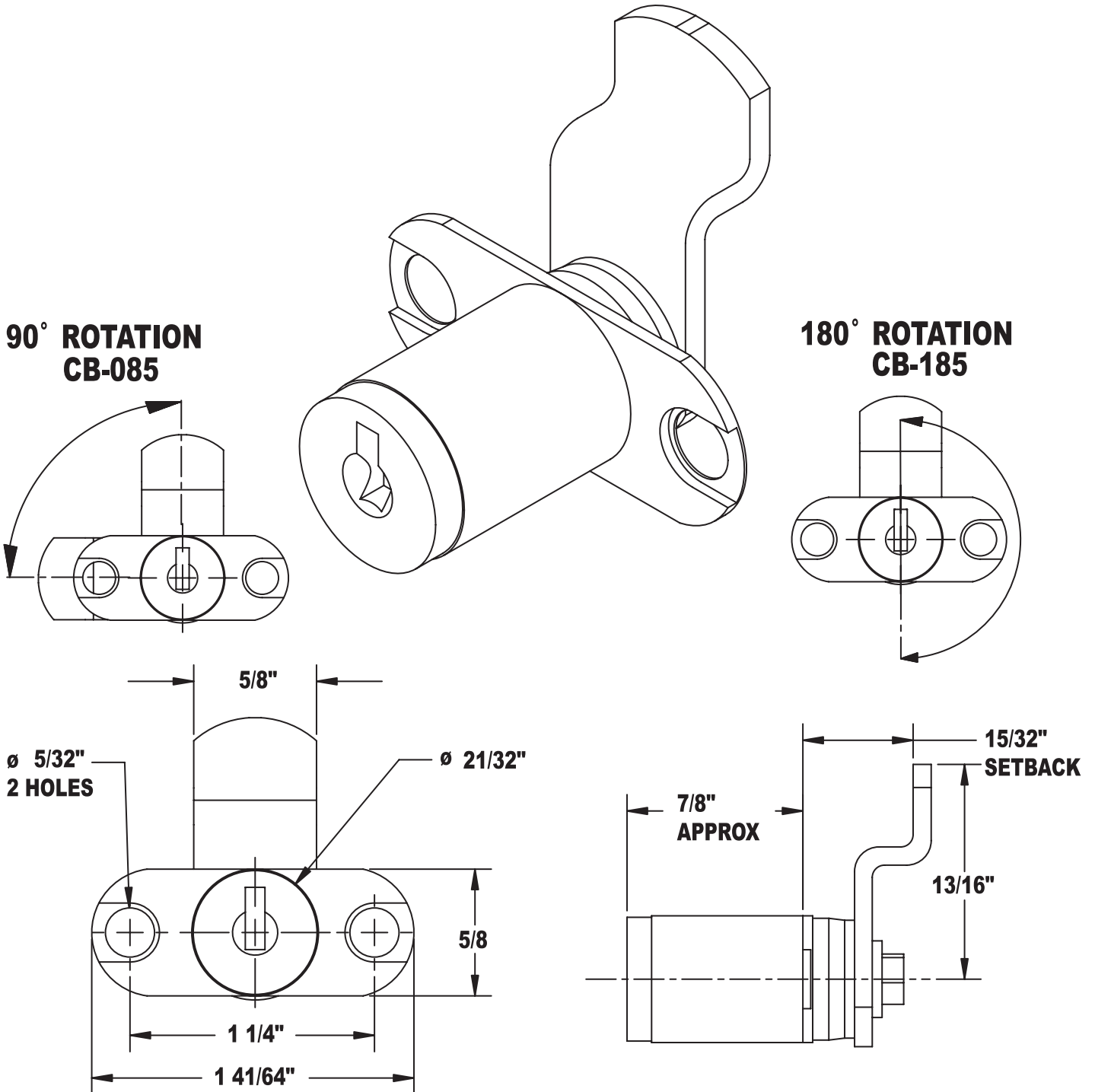


Article number	30773
Packaging unit	10 Piece
Article type	Steel handle
Base surface finish	-
Drilling distance	96 mm
Finish	Brass-plated
Length	104 mm
Material	Steel
Rosette surface	-

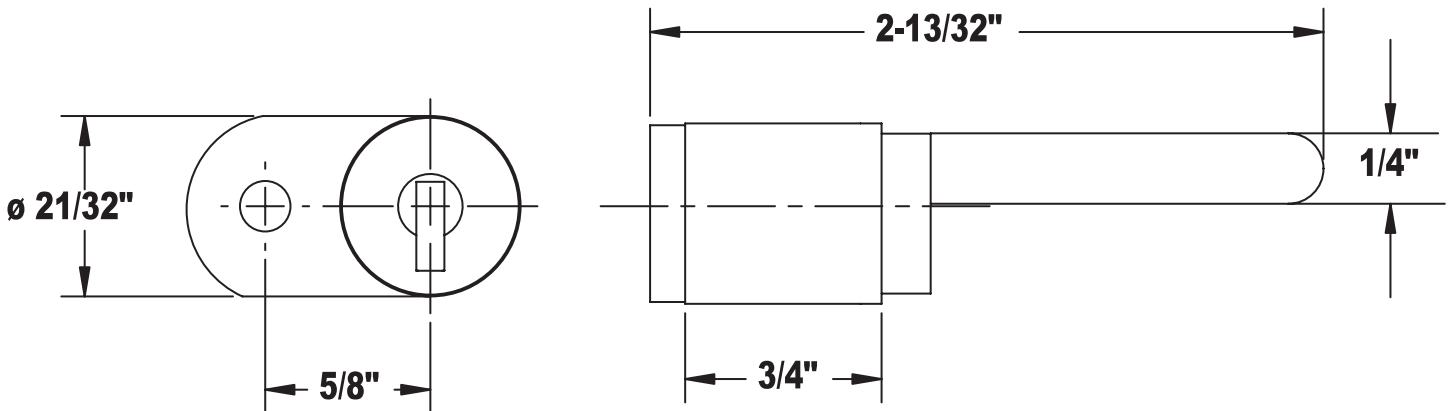
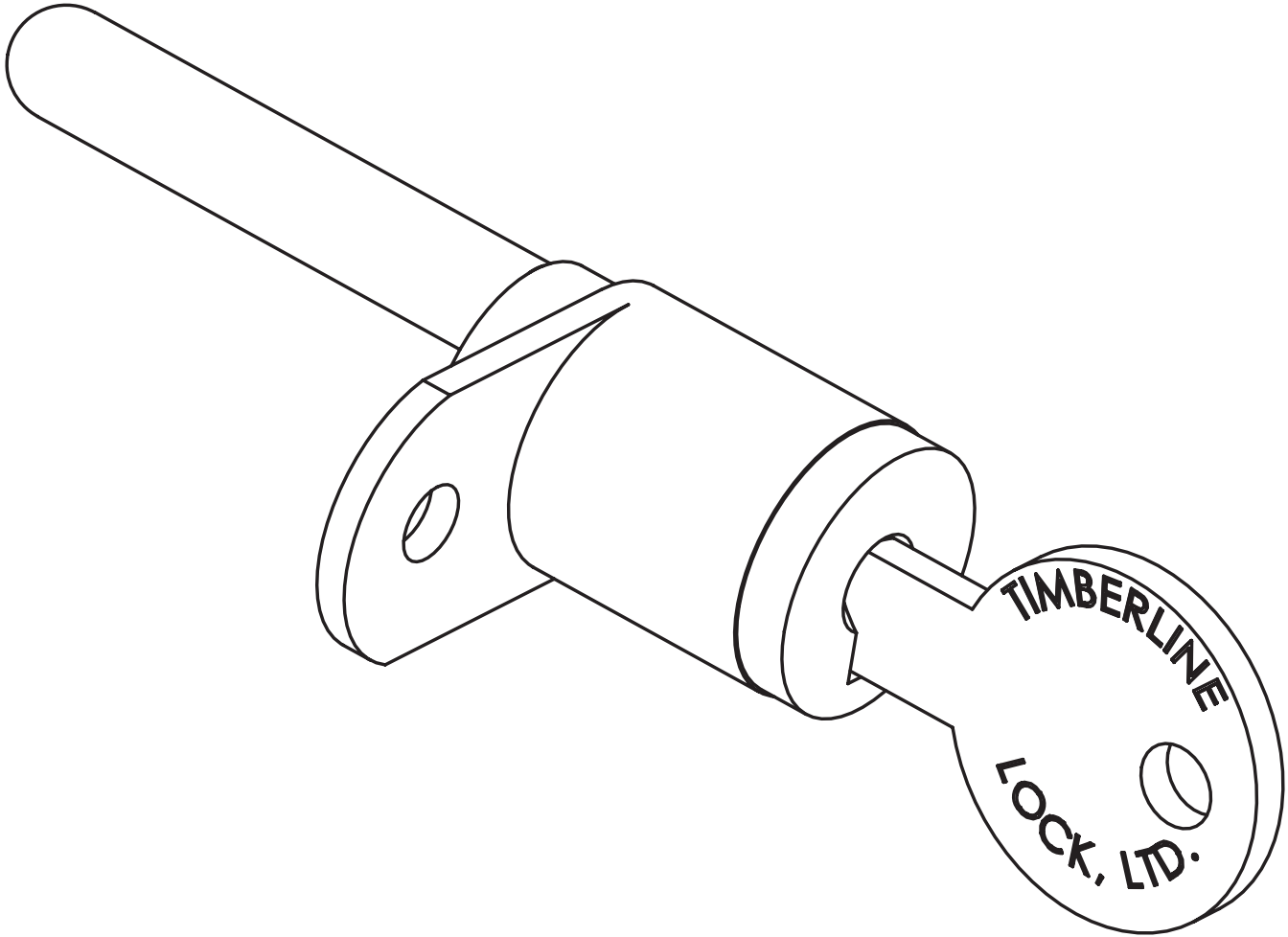
Brilliant ideas metal handles

[➔ Back](#) | [➔ Home](#) | [➔ in enquiry](#) | [➔ Accessory](#) | [➔ Logout](#) | [➔ Help](#)

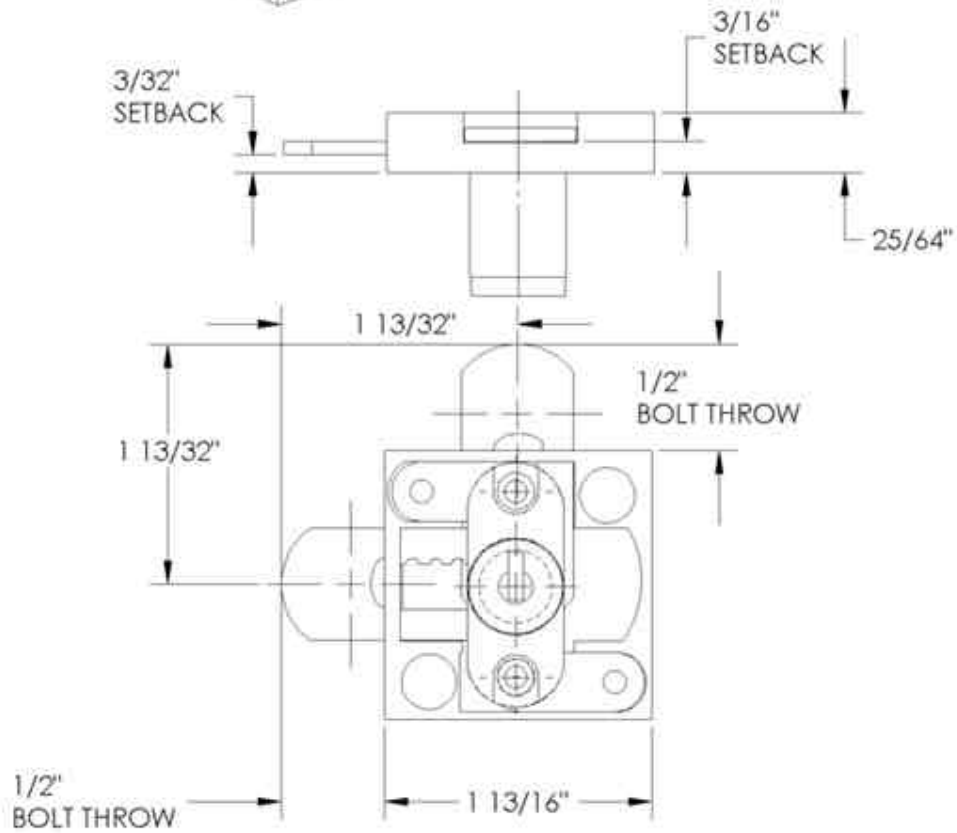
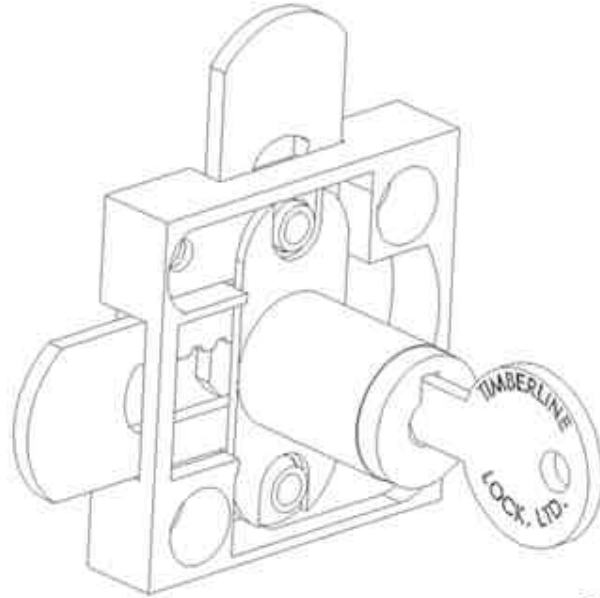
CB-085/CB-185 CAM LOCK HORIZONTAL MOUNTED "Shown with lock core installed"



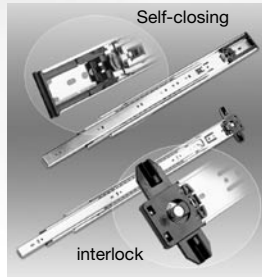
CB-101 LOCK
'SHOWN WITH LOCK CORE INSTALLED'



CB-250 DOUBLE DOOR LOCK "Shown with lock core installed"



100 lb. Full Extension Slides



Mounting: Side mount.

Side Clearance: 12.7mm plus 0.8 minus 0" each side.

Height: 1-13/16" (45.7mm)

Loading: 45.4kgs class.

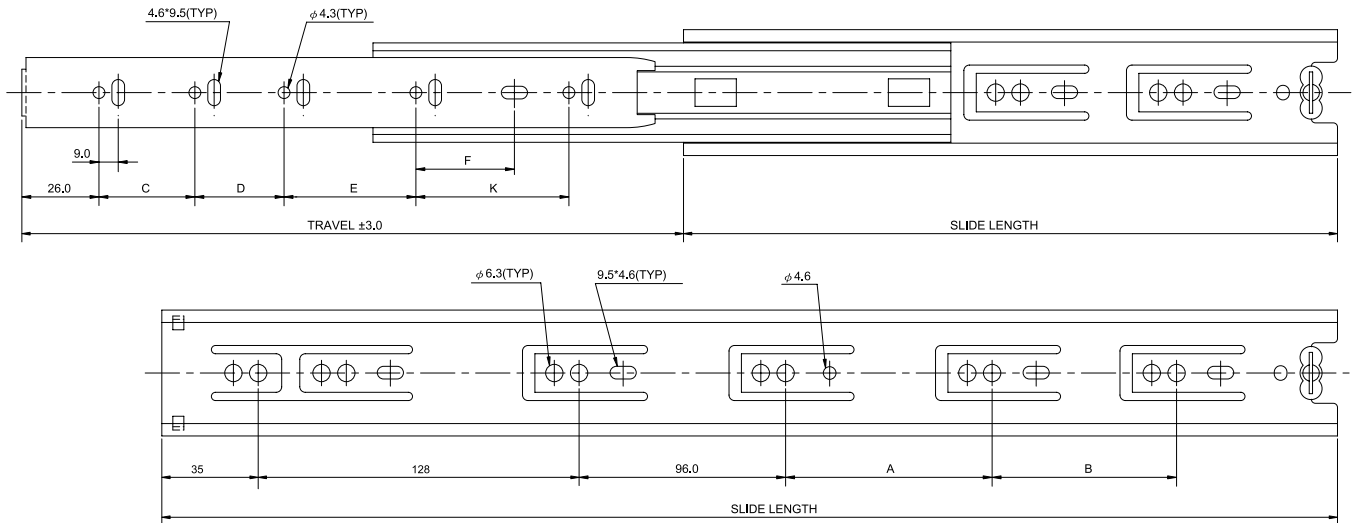
Size: 250mm, 300mm, 350mm, 400mm, 450mm, 500mm, 550mm, 600mm, 650mm, 700mm

Feature: 32mm hole pattern. Simple access mounting on drawer and cabinet members. Breathing tabs self adjust to side clearance. Hold/close function. Lever disconnect for drawer removal.

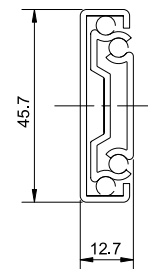
Finish: Zinc plated

Packing: 15 pairs individually poly-packaged, no screws.

Option: Black zinc plated, Galvanized steel, Self-closing, Interlock, 1" over-travel.

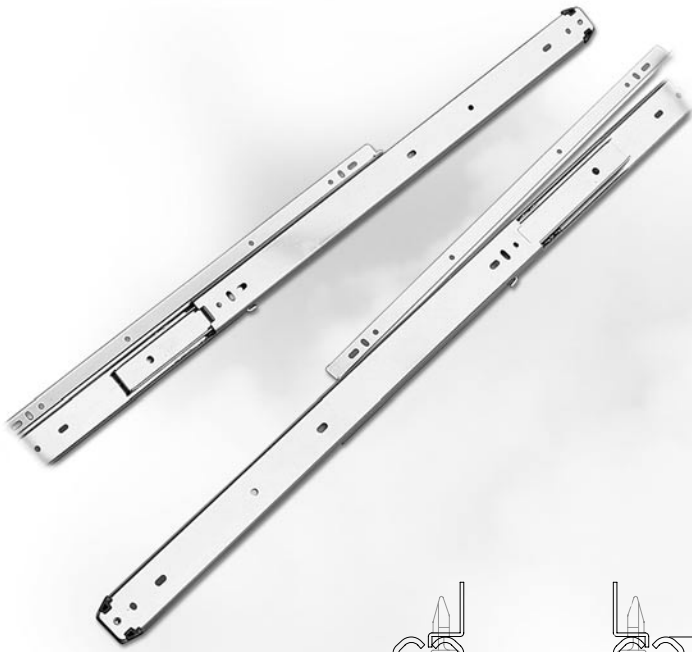


SIZE (mm)	SLIDE LENGTH (mm)	TRAVEL (mm)	A (mm)	B (mm)	C (mm)	D (mm)	E (mm)	F (mm)	K (mm)
300	300.0	304.8	/	/	96.0	128.0	/	/	/
350	350.0	355.6	/	/	96.0	160.0	/	/	/
400	400.0	406.4	96.0	/	96.0	96.0	128.0	/	/
450	450.0	457.2	128.0	/	96.0	96.0	160.0	/	/
500	500.0	508.0	128.0	64.0	128.0	192.0	96.0	/	/
550	550.0	558.8	128.0	96.0	96.0	96.0	192.0	/	64.0
600	600.0	609.6	128.0	128.0	96.0	96.0	192.0	/	96.0
650	650.0	660.4	128.0	192.0	96.0	96.0	192.0	/	160.0
700	700.0	711.2	128.0	192.0	224.0	192.0	128.0	96.0	/

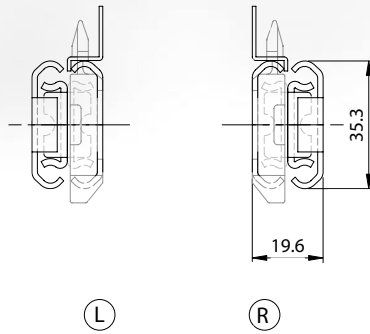


RH-2030A

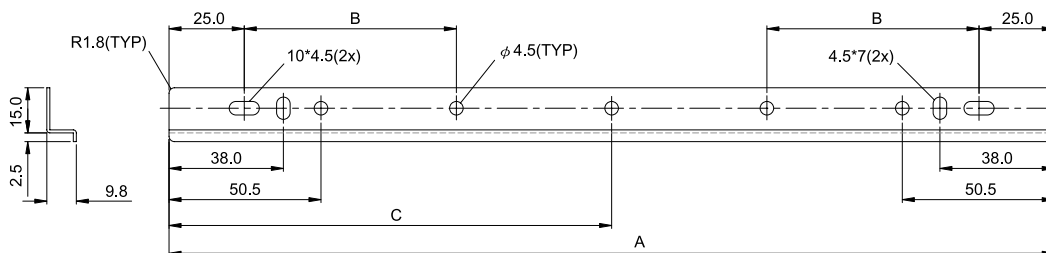
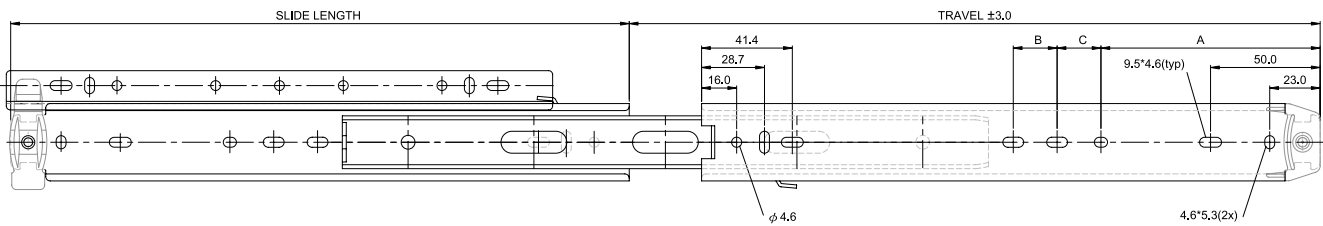
150 lb. Full Extension Slides



- Mounting:** Side, for frame and frameless mounting.
- Side Clearance:** 19.6mm plus 0.8mm, minus 0" each
- Height:** side.
- Loading:** 1-15/16", 2-1/4"
- Size:** 150 pound class.
- Feature:** 12", 14", 16", 18", 20", 22", 24", 26"
Handed slide members. Attached release clips with quick disconnect rails for easy drawer removal.
- Finish:** Zinc plated.
- Packing:** 10 pairs individually poly-packaged, no screws.
- Option:** Black zinc plated, Mounting screws.



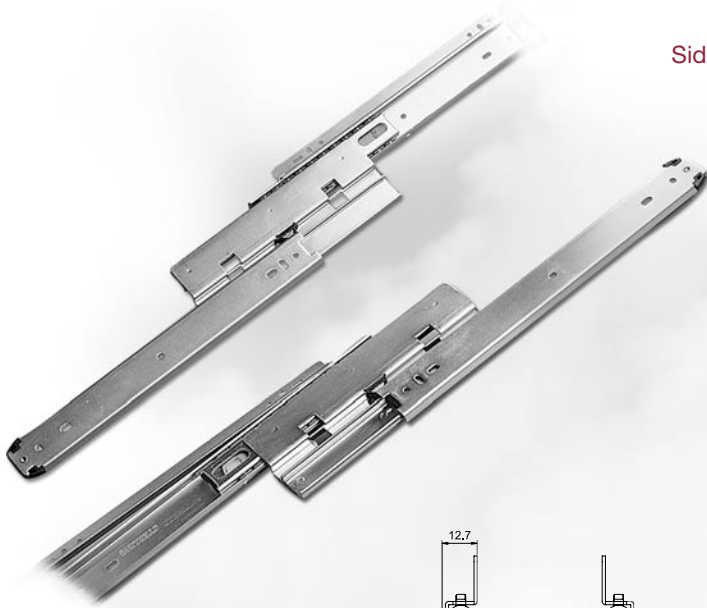
SIZE (IN)	SLIDE LENGTH (mm)	TRAVEL (mm)	A (mm)	B (mm)	C (mm)
12	301.8	334.8	145		
14	352.6	385.6	145		
16	403.4	436.4	145		
18	454.2	487.2	145		72.0
20	505.0	538.0	145		72.0
22	555.8	588.8	145	50.0	72.0
24	606.6	639.6	145	50.0	72.0
26	657.4	690.4	145	50.0	72.0



SIZE (IN)	A (mm)	B (mm)	C (mm)
8.75	186.25		
12	268.8		
13	294.2		
14	319.6	117.0	
16	370.4	117.0	
18	421.2	117.0	
20	472.0	117.0	236.0
22	522.8	117.0	261.4
24	573.6	117.0	286.8
26	624.4	117.0	312.2

RH-2040A

150 lb. Full Extension Slides



Mounting: Side mount.

Side Clearance: 12.7mm plus 0.8mm, minus 0" each side.

Height: 4"

Loading: 150 pound class.

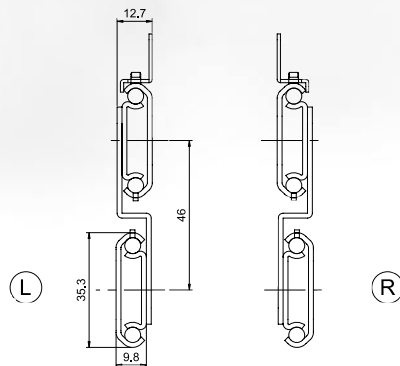
Size: 12", 14", 16", 18", 20", 22", 24", 26"

Feature: Attached release clip with quick disconnect rails for easy drawer removal. Progressive movement. Handed slide member.

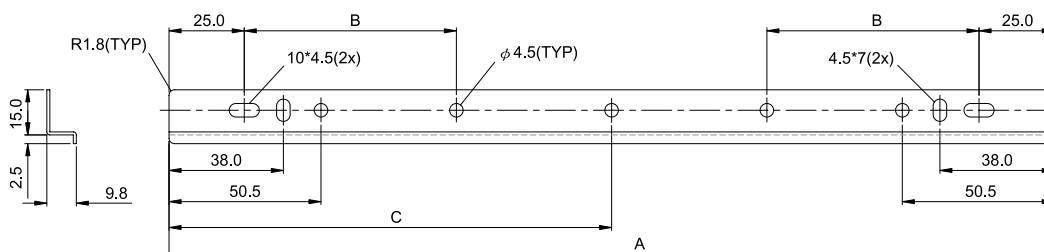
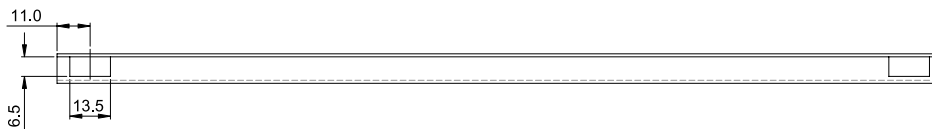
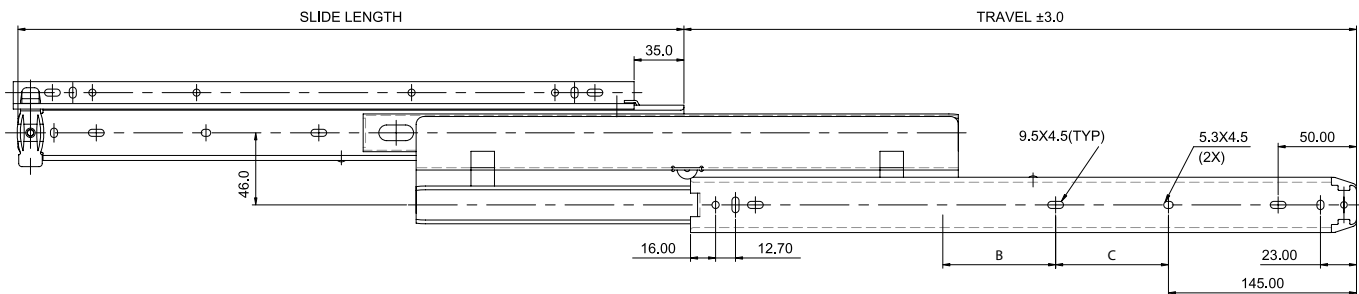
Finish: Zinc plated.

Packing: 10 pcs individually poly-packaged, no screws.

Option: Black zinc plated, Mounting screws.



SIZE (IN)	SLIDE LENGTH (mm)	TRAVEL (mm)	B (mm)	C (mm)
12	301.8	289.1		
14	352.6	339.9		
16	403.4	390.7		
18	454.2	441.5		72.0
20	505.0	492.3		72.0
22	555.8	543.1	50.0	72.0
24	606.6	593.9	50.0	72.0
26	657.4	644.7	50.0	72.0



SIZE (IN)	A (mm)	B (mm)	C (mm)
8.75	186.25		
12	268.8		
13	294.2		
14	319.6	117.0	
16	370.4	117.0	
18	421.2	117.0	
20	472.0	117.0	236.0
22	522.8	117.0	261.4
24	573.6	117.0	286.8
26	624.4	117.0	312.2

File Frame System

For Supporting
Hanging Files
on Wood Drawers

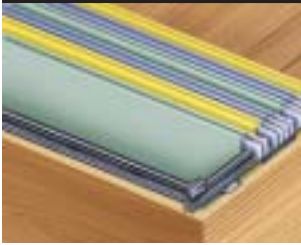


The easy to install
File Frame System that
can accommodate all file sizes
including letter, legal and A4

CompX
TIMBERLINE



Advantages of the Timberline File Frame System



Typical file frame corner

Great Appearance... Functional Design

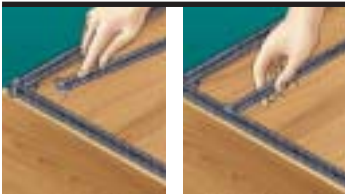
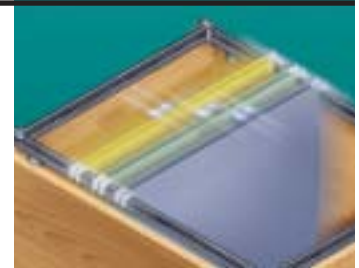
- Attractive, black finish
- Files slide smoothly
 - Will not slide out of position when using files
 - Will not pull out when removing files
- Easy to adjust between filing configurations
 - Rails snap in and out of position without tools



Proven durable during load testing

Proven Design and Durability

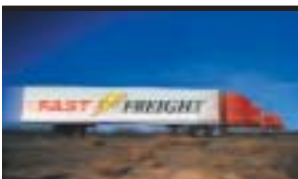
- Easily supports twice the fully loaded weight of paper
- Weight is supported by the top of the drawer, not screws
- Withstands 50,000 back and forth cycles without paint wear or other degradation



Fits easily into place and slides smoothly to desired lock-in filing configuration

Cost Effective and Easy to Install

- Easy to install using only screws
- No machining required
- No need to tape frame system in place during shipping



File frame generally ships within one week

Timberline Quality and Reliability of Supply

- Easy to purchase directly from manufacturer
- Sized to fit your existing drawer sizes
- One week typical lead time

CompX
TIMBERLINE

915 Sherwood Drive, Lake Bluff, IL 60044



1-800-LOCKBAR

File Frame Quote Request

File Drawer

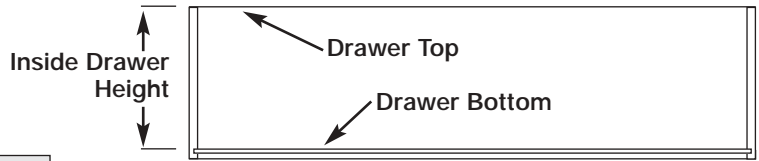
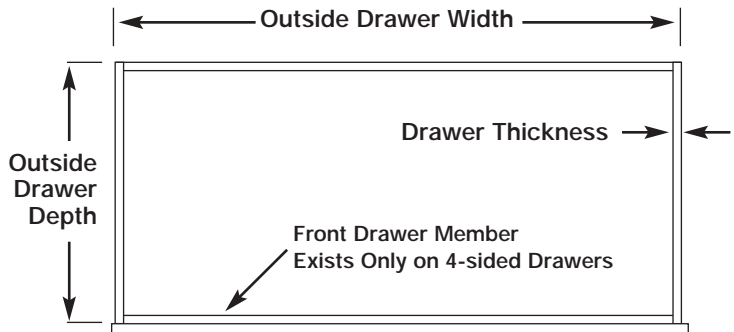
Drawer Dimensions:

Outside Width:

Outside Depth:

Drawer Thickness:

Drawer Type: 3-sided
or
 4-sided



Inside Drawer Height:

Filing requirements:

- Front to Back Letter Filing
- Front to Back Legal Filing
- Side to Side Letter Filing
- Side to Side Legal Filing
- Other... Describe in Comments

System Now Used:

- Plastic Extrusions
- Fabricated Steel Bars
- Fabricated Aluminum Bars
- Other... Describe in Comments

Comments:

Customer:

Drawer Desc:

Drawer P/N:

Annual Volume:



915 Sherwood Drive, Lake Bluff, IL 60044
 1-800-LOCKBAR
 1-847-234-1864
 Return via FAX: 1-847-234-7922

File Frame System

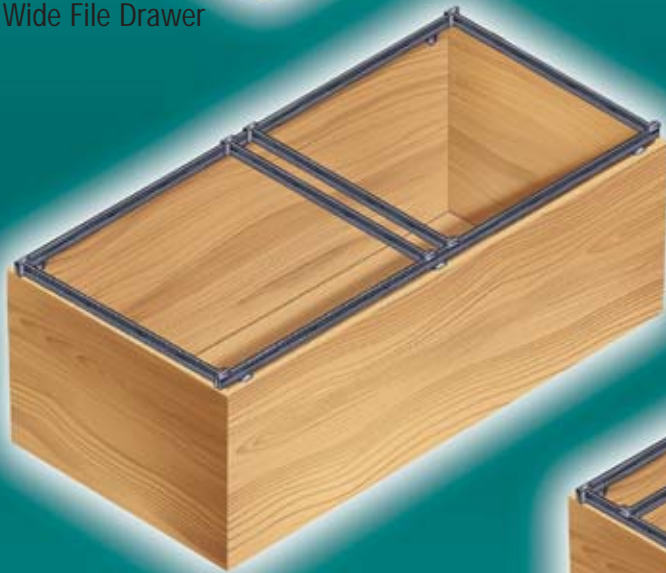
For Supporting Hanging Files
on Wood Drawers



Wide File Drawer



Deep File Drawer



Lateral File Drawer –
Without Lateral Letter Filing



Lateral File Drawer –
With Lateral Letter Filing

CompX
TIMBERLINE

915 Sherwood Drive, Lake Bluff, IL 60044
1-847-234-1864 1-847-234-7922 FAX

Patent pending.



1-800-LOCKBAR