

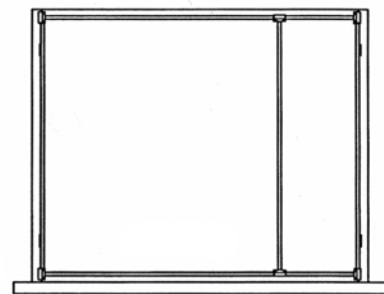
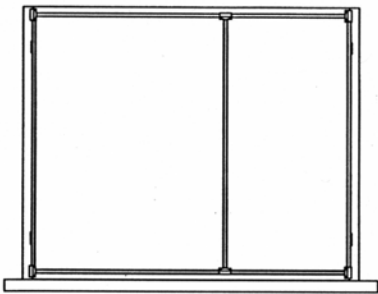
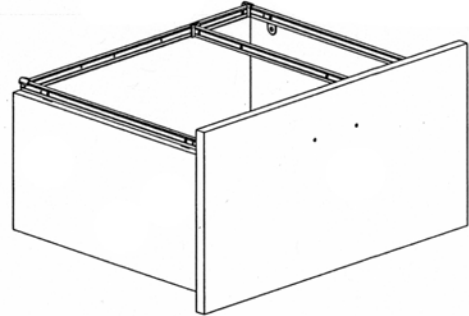
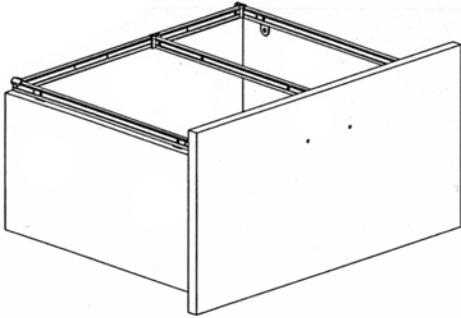
## Architectural Casework

### FILE RAIL APPLICATION - Standard 16"\*, 21"\*, & 24"\* Drawer Units

This visual configuration is true for all drawer units wider than 16" that get file rails.

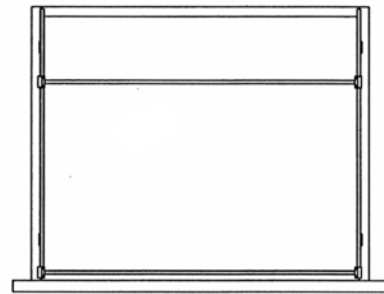
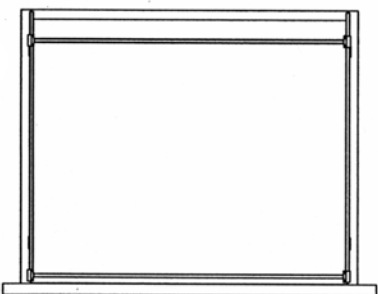
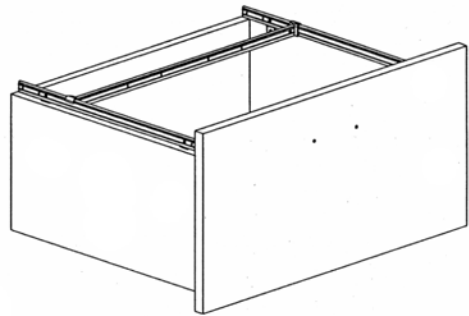
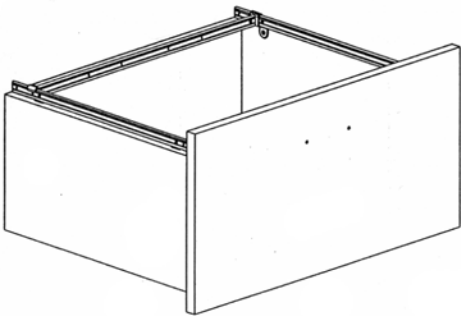
\*16" wide units do not receive the additional front-to-back rail.

(15" & 18" wide drawer units do not include file rails)



Letter (Front-to-Back)

Legal (Front-to-Back)

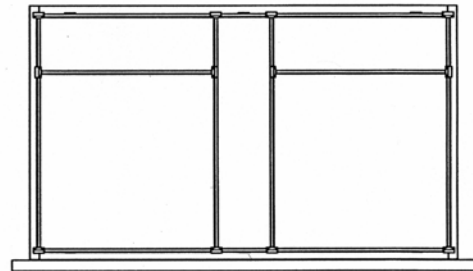
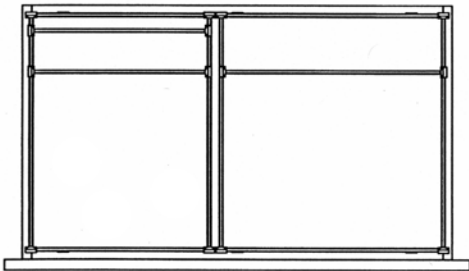
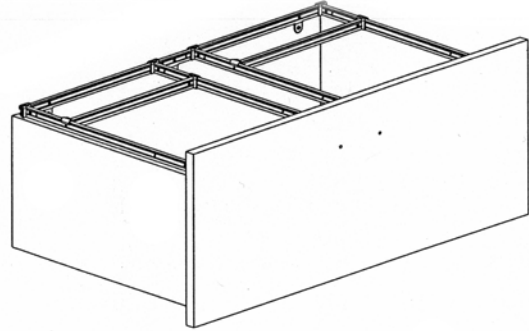
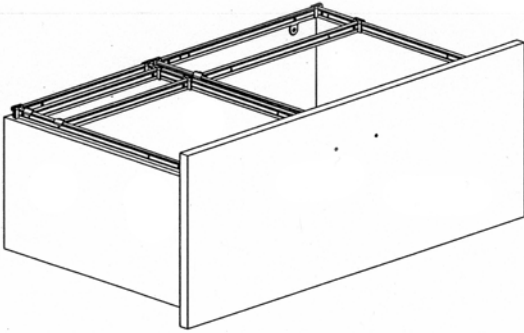


Legal (Side-to-Side)

Letter (Side-to-Side)

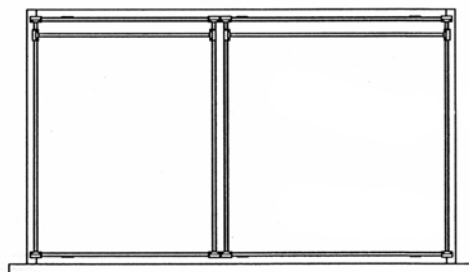
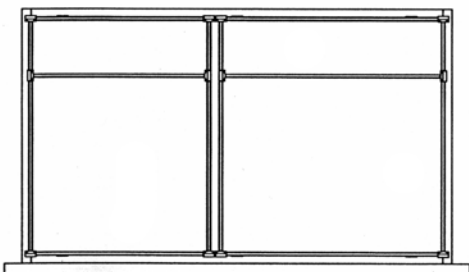
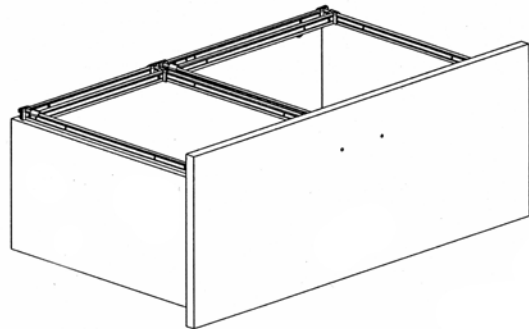
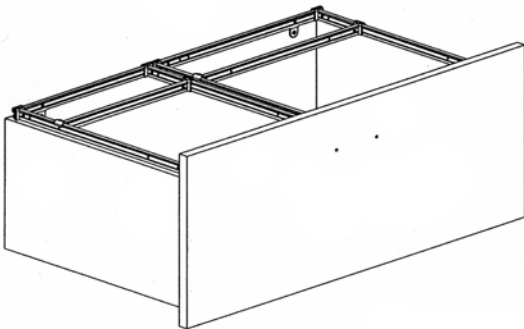
**FILE RAIL APPLICATION - Standard 32" Drawer Units**

This visual configuration is true for all lateral file drawer units. File rail configurations are not available for 24" deep lateral files.



As delivered from the factory

Letter (Front-to-Back or Side-to-Side)



Letter & Legal (Front-to-Back)  
Letter (Side-to-Side)

Letter & Legal (Front-to-Back)  
Legal (Side-to-Side)